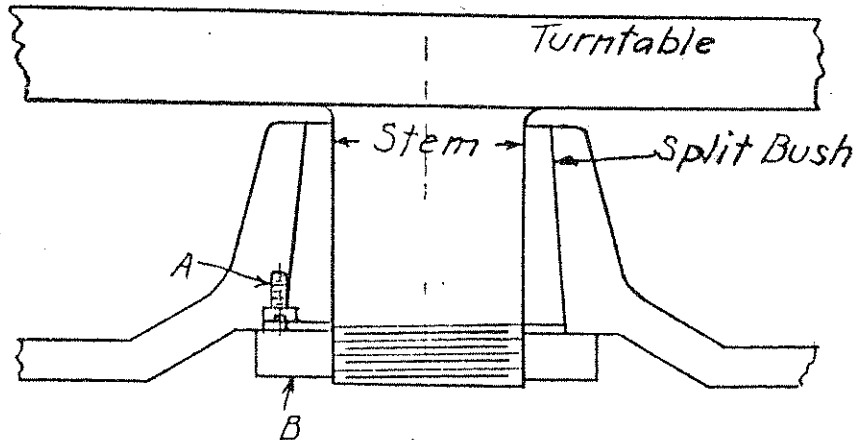


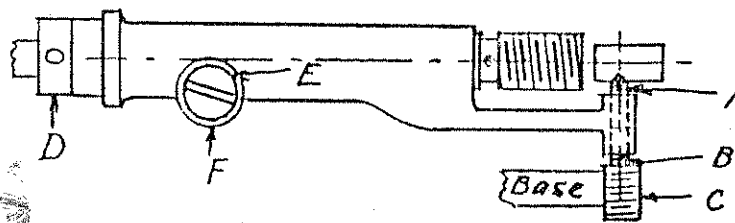
## TROYKE ROTARY TABLE



Turntable Revolves on "Stem" and rests on full Diameter Track.

To adjust "Split Bush" Remove Collar "B".

Tap "Split Bush" home. Drive Screw "A" down to hold "Split Bush" in place.



### ADJUST WORM

Remove Screw "C". Disengage Worm.

Draw down stud "E" (held by set screw at "F").

Adjust nut "D" to remove end play.

Remove screw "B". Turn screw "A" Counter-clockwise not over  $\frac{1}{4}$  turn.

Replace screws "B" and "C" and test.

This adjustment between Worm and Wormwheel is a "cut and try" method but it is positive and permanent.

## TROYKE MFG. CO.

11294 ORCHARD STREET SHARONVILLE, CINCINNATI 41, O.